

CARL® Cash Box

CB-8560 / CB-8660 / CB-8760

SAFE, PRECISE AND EFFICIENT

Thank you for purchasing Carl CASH BOX. Before using it, please read these instructions thoroughly. Then, please keep the instructions and refer to them when necessary.

⚠️ Precautions

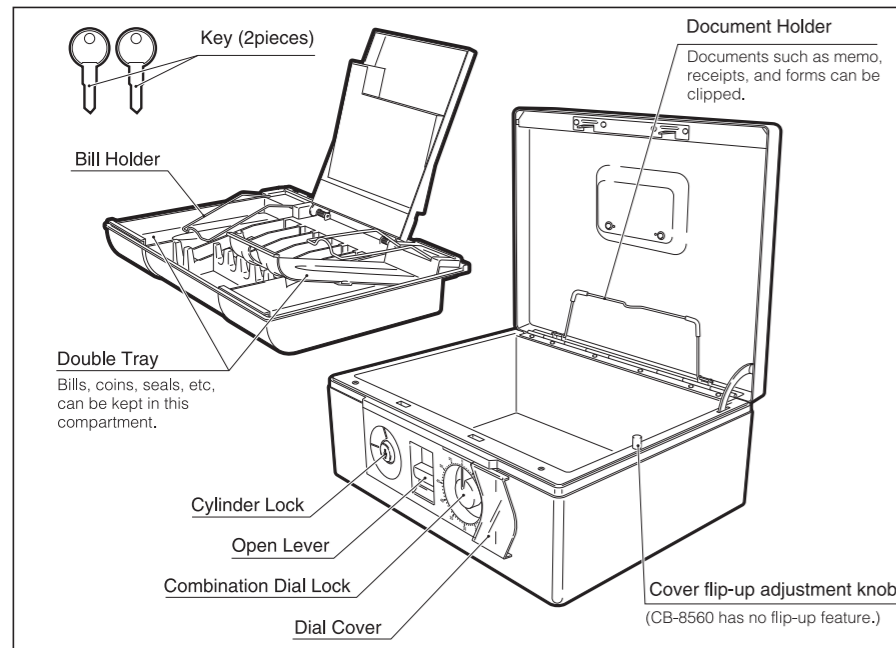
Risk of Injury

- Do not put the CASH BOX on an unstable surface and use.
- Be careful not to get your hand or finger caught in the cover of the CASH BOX.

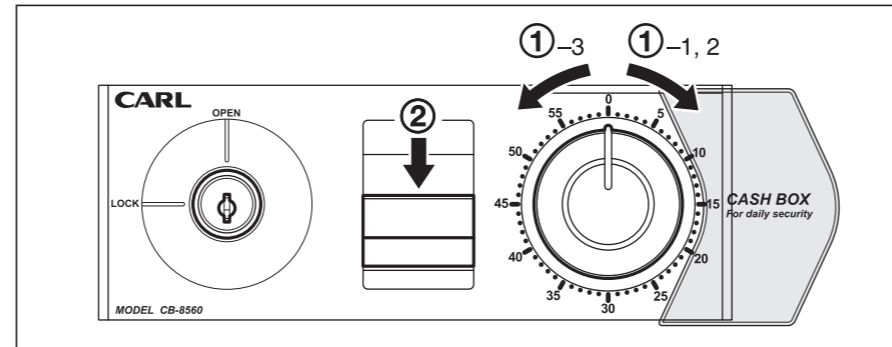
Precautions on Use

- Be careful not to get things inside the CASH BOX caught in the cover, as this may hinder the cover from opening.
- Do not put the key and tag inside the CASH BOX. In addition, keep the key and the tag in a separate location.
- Open and close the cover gently.
- To prevent theft, make sure to use both the Cylinder Lock and Combination Dial Lock.
- Avoid using the CASH BOX under direct light or in hot places. This can cause discoloration and deformation.

Parts Name



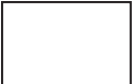
How to Open the Cover



■ Opening the Combination Dial Lock

① Turn the dial in the following order.

1. Turn the dial clockwise at least 2 full circles.

2. Then, turn the dial clockwise again and set to the  position.

3. Finally, turn the dial counterclockwise and set to the  position.

* If you turn the dial counterclockwise more than one full circle, start from step 1.

② Hold down the open lever.

■ Opening the Cylinder Lock

Put the key in the key hole and turn it clockwise (OPEN) to unlock.
Turn it counterclockwise (LOCK) to lock.

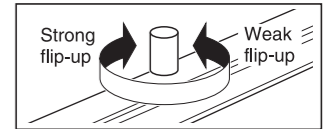
How to Close the Cover

1. Before closing the CASH BOX, make sure that the things inside are in place and would not hinder the cover from closing.
2. Gently close the cover.
3. Turn the dial clockwise at least 2 full circles.

- Do not put the key and tag inside the CASH BOX. In addition, keep the key and the tag in a separate location.
- Locking the cylinder lock and/or the combination dial lock when the cover is open will prevent the cover from closing. (This is to prevent the keys from getting locked in the CASH BOX.)

Cover Flip-up Adjustment Knob (CB-8560 has no flip-up function)

Adjust the strength of the cover flipping open by using the "Cover flip-up adjustment knob". Use when the weight of the cover changes due to the amount of documents clipped using the Document Holder.



Coin Anti Scattering Feature

The inner cover of the tray's coin storage compartment prevents the scattering of the coins when carrying the CASH BOX. The inner cover is linked with the outer cover and will automatically open and close.

